

RANSOME

MANUFACTURING

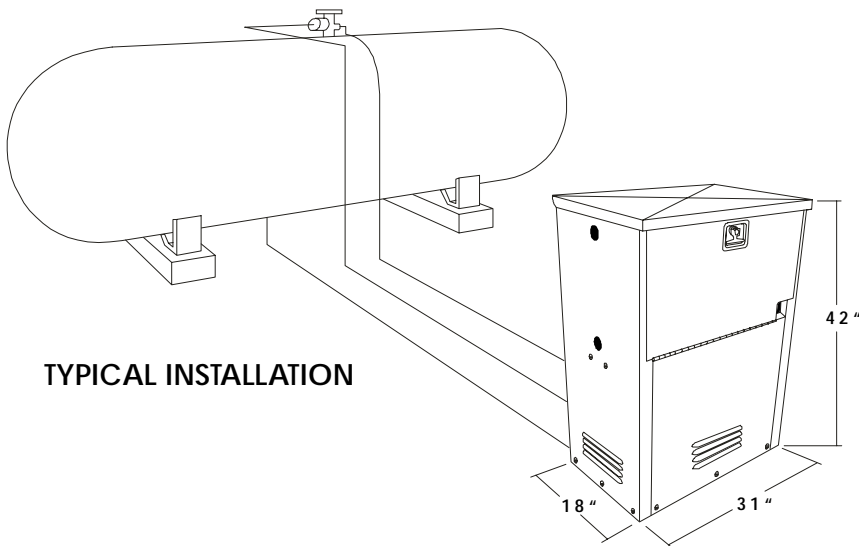
Engineering and Equipment Manufacturing

D760B Series LP-Gas Dispenser Cabinet

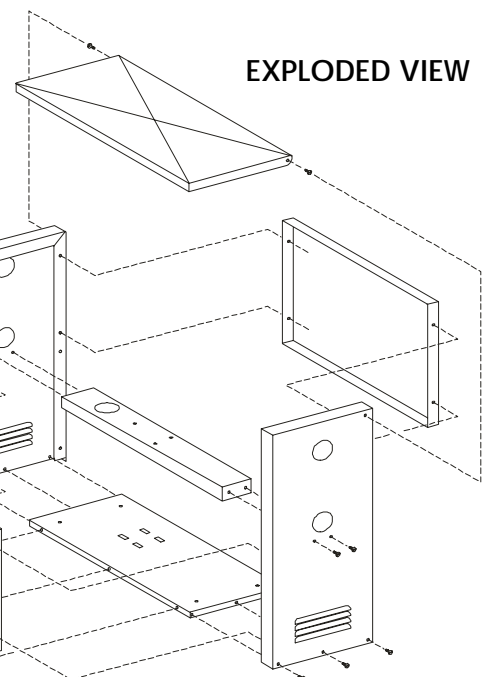
The Ransome D760C "KNOCK DOWN" LP-Gas Dispenser Cabinet is a complete, heavy gauge Dispenser designed for easy installation, use and service access. Because the cabinet is shipped unassembled it comes complete with all material, nuts and bolts, for a quick and easy assembly.

When ordering the D760B as a "COMPLETE", ready to attach dispenser, the cabinet contains all quality components. Standard are a Neptune 1" type 4D style N compact LP-Gas meter. A Blackmer pump with a 1HP Baldor motor is available along with a 3/4" - 15' long, high pressure hose assembly complete with Acme shut-off valve and connector. The cabinet has a baked on "Powder Coat" finish.

A D762B is basically the same, with the exception of a 1 1/2 HP pump.



TYPICAL INSTALLATION



EXPLODED VIEW

- OPTIONS:
- Hose Retractor
 - Hose of Varying Length
 - Bottle Fill Scales
 - Custom Features on request

RANSOME

MANUFACTURING

3495 South Maple Avenue • Fresno, California 93725
Telephone (559) 485-0979 • (800) 342-8265 • Fax (559) 485-8869